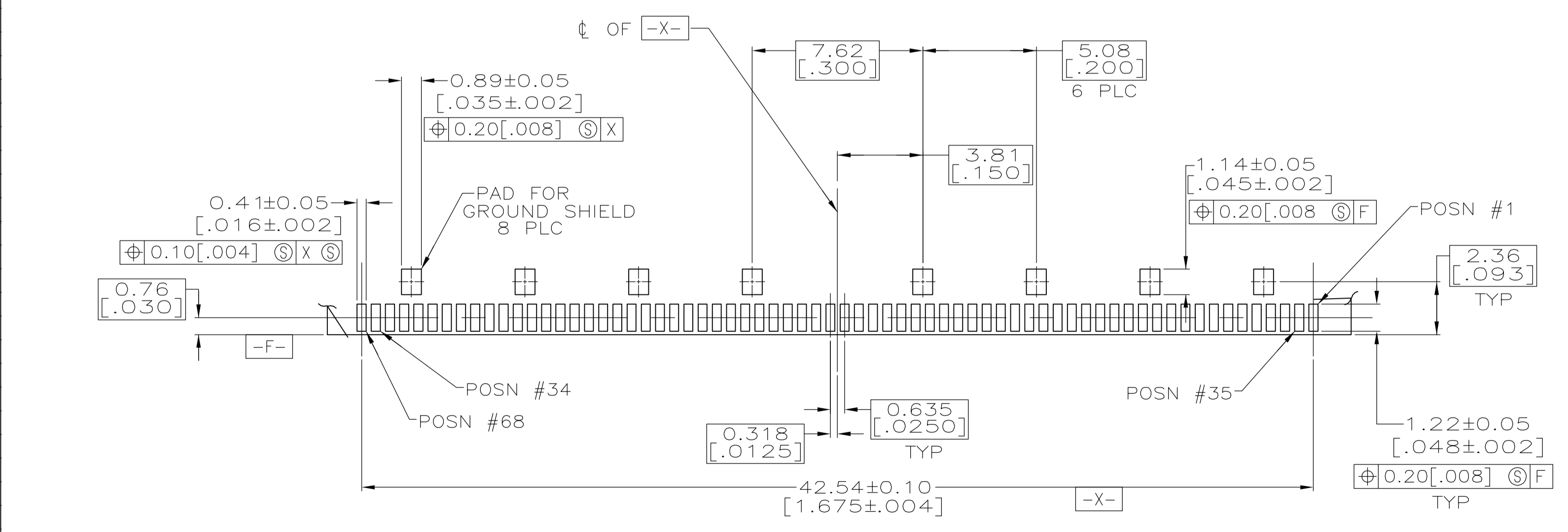
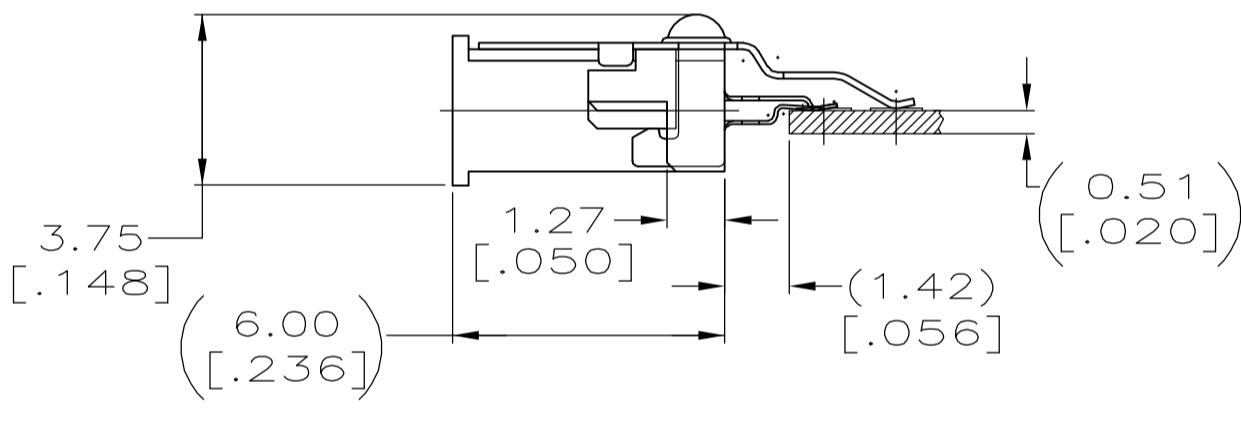
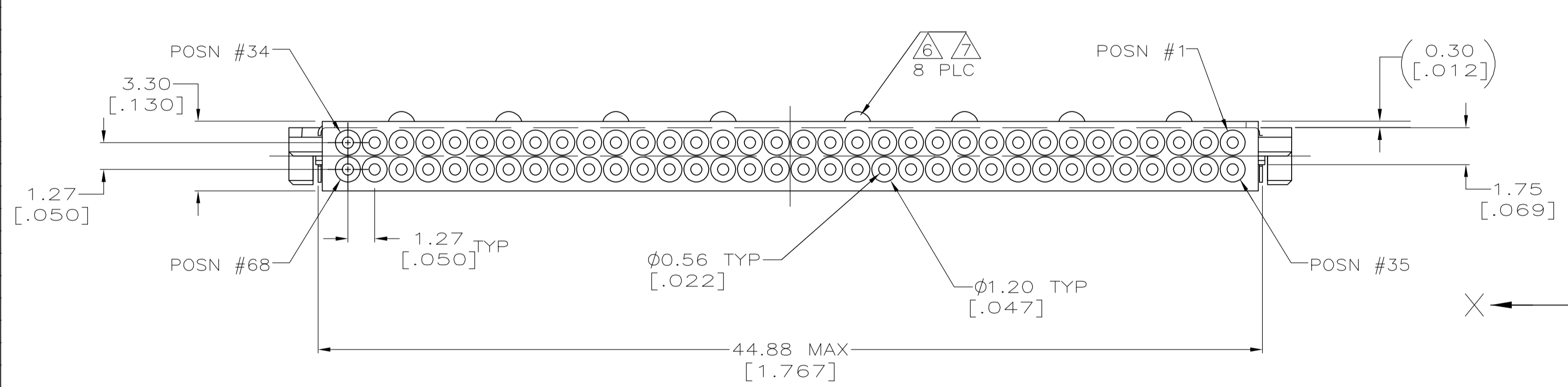
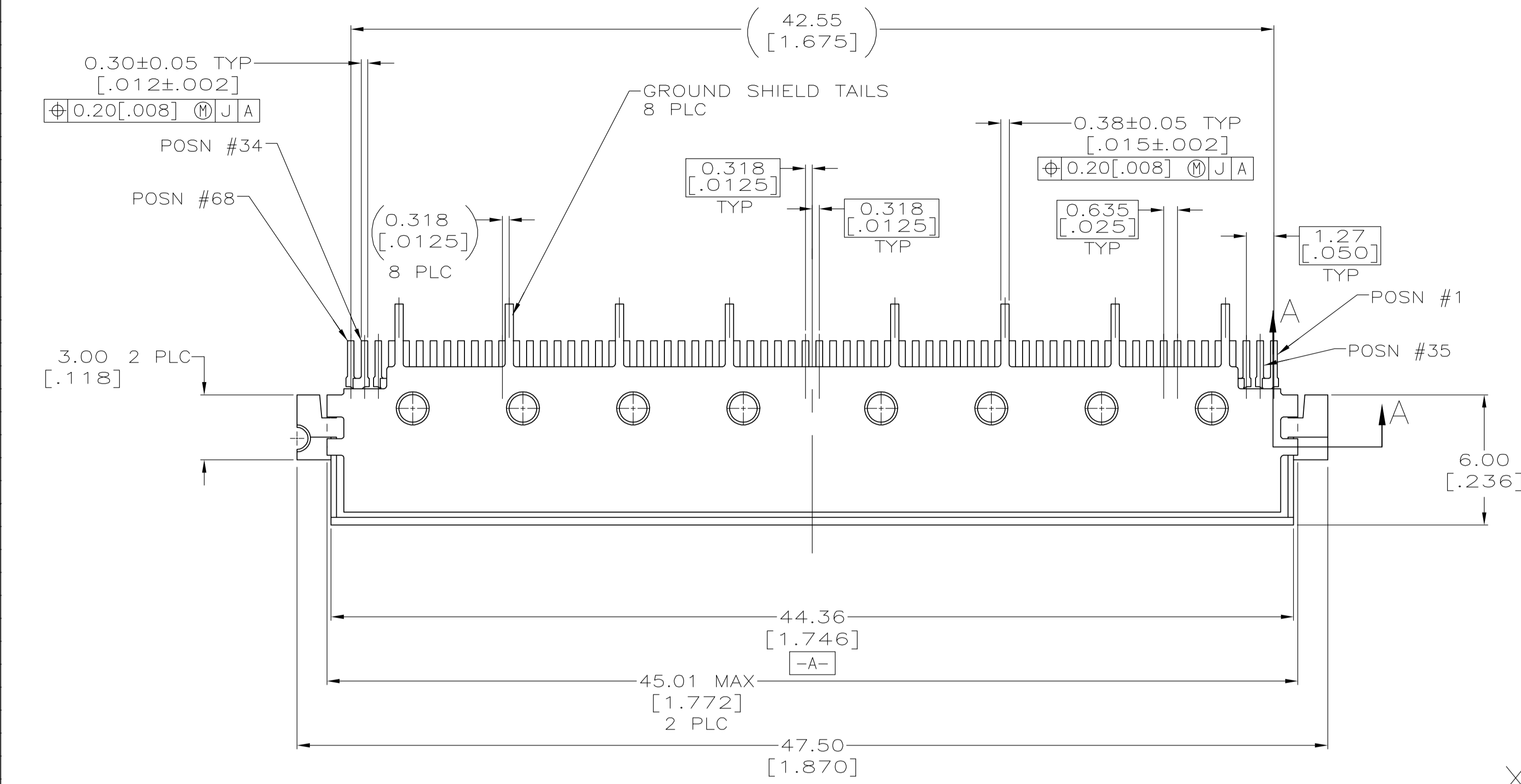


LOC		DIST		REVISONS			
P	LR	DESCRIPTION	DATE	OWN	APVD		
A		REVISED PER ECN 0513-0252-05	02AUG06	JDP	DLG		

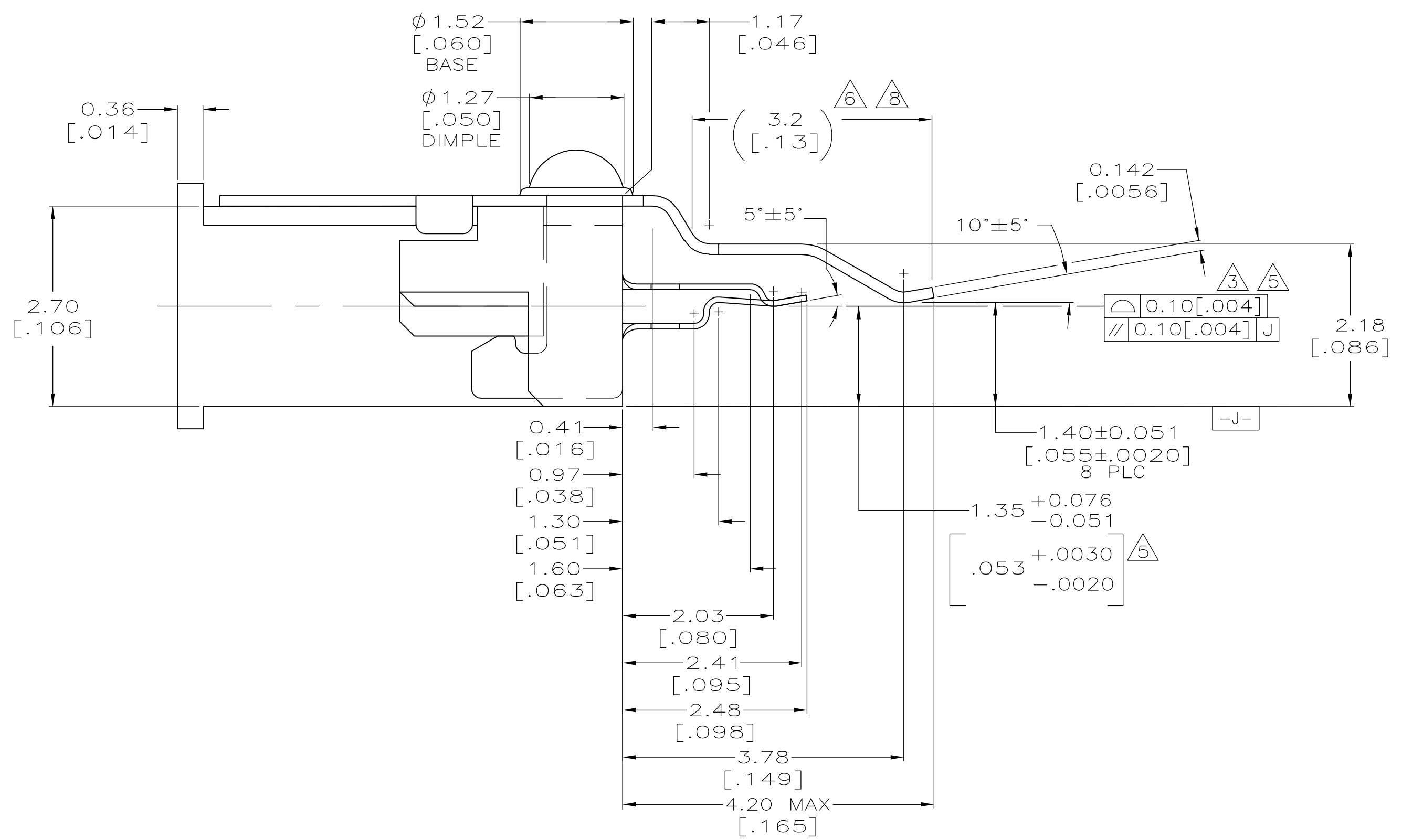


- △ HOUSING: LCP, GLASS FILLED, COLOR: BLACK.
- △ CONTACTS: BERYLLIUM COPPER; SHIELD: BRASS
- △ DIMENSION IN REFERENCE TO LOWEST POINT OF EACH LEAD.
- 4. POINT OF CONTACT 2.3[.091] REF FROM MATING FACE.
- △ APPLIES TO 68 SIGNAL TAILS ONLY.
- △ SHIELD: 0.00076[.000030] MIN GOLD IN LOCALIZED GOLD PLATE AREA, 0.00381-0.00635 [.000150-.000250] MATTE TIN IN LOCALIZED TIN PLATE AREA, ALL OVER 0.00127 [.000050] MIN NICKEL.
- △ LOCALIZED GOLD PLATE AREA.
- △ LOCALIZED TIN PLATE AREA.
- 9 PACKAGED IN 56mm WIDE TAPE AND PLASTIC REEL.
- 10 PACKAGED IN 72mm WIDE TAPE AND PLASTIC REEL.
- 11 CONTACTS: 0.00076[.000030] MINIMUM GOLD ON MATING AREA, 0.00064[.000025] MINIMUM SEMI-BRIGHT NICKEL ON MATING AREA, 0.00254[.000100] MINIMUM MATTE TIN ON SOLDER TAIL, ALL OVER 0.00127 [.000050] MINIMUM MATTE NICKEL.

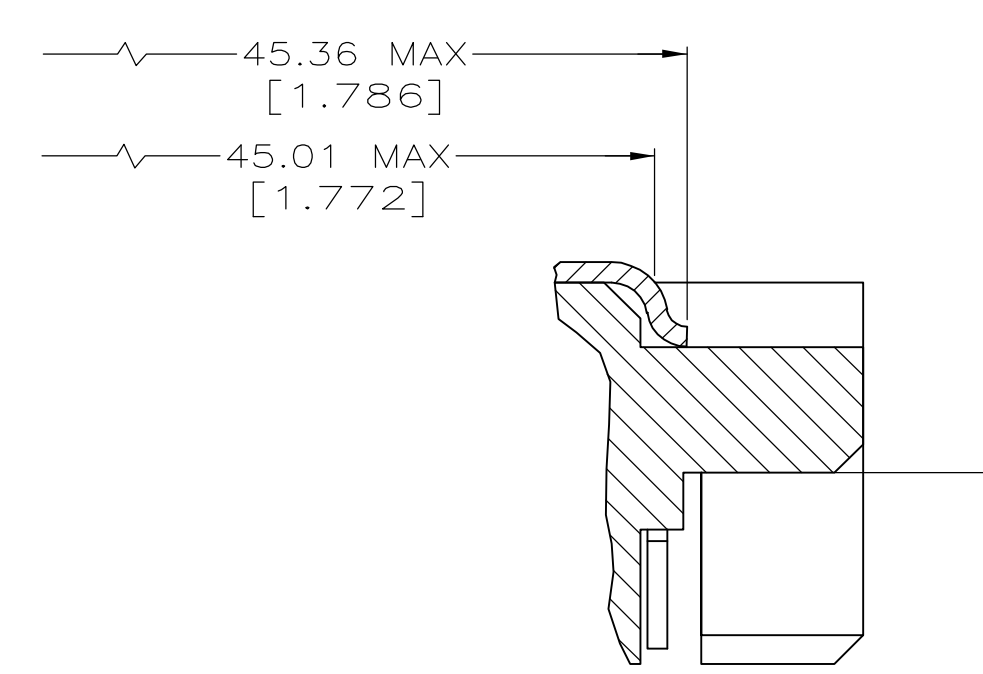
SUGGESTED PC BOARD LAYOUT

**COPYRIGHT 2005
 TYCO ELECTRONICS CORP
 ALL RIGHTS RESERVED**

THIS DRAWING IS A CONTROLLED DOCUMENT.		DIN L VARELA - 02-17-05		Tyco Electronics Corporation	
DIMENSIONS: mm [NCHES]		CHK D GORENC 02-17-05		Harrisburg, PA 17105-3608	
TOLERANCES UNLESS OTHERWISE SPECIFIED:		APVD W WALMSLEY 02-17-05		NAME	
0 PLC ± -	1 PLC ± -	PRODUCT SPEC		RECEPTACLE ASSEMBLY, SMT, 68 POSITION, 6MM/.236 IN. ZERO OFFSET, AMP PC CARDBUS	
2 PLC ± -	3 PLC ± 0.13[.005]	APPLICATION SPEC		SIZE CASE CODE DRAWING NO RESTRICTED TO	
4 PLC ± -	ANGLES ± °	WEIGHT		A1 00779 C=5146884	
MATERIAL	FINISH	CUSTOMER DRAWING		SCALE 4:1 SHEET 1 OF 2 REV A	



VIEW X-X
SCALE 20:1



**COPYRIGHT 2005
 TYCO ELECTRONICS CORP
 ALL RIGHTS RESERVED**

THIS DRAWING IS A CONTROLLED DOCUMENT.		DWN L. VARELA 02-17-05	Tyco Electronics Corporation Harrisburg, PA 17105-3608	
DIMENSIONS: mm [INCHES]		CHK D. GORENC 02-17-05	RECEPTACLE ASSEMBLY, SMT, 68 POSITION, 6mm/.236 IN, ZERO OFFSET, AMP PC CARDBUS	
TOLERANCES UNLESS OTHERWISE SPECIFIED:		APVD M. WALMSLEY 02-17-05	RESTRICTED TO	
0 PLC	\pm -	PRODUCT SPEC	SIZE	CAGE CODE
1 PLC	\pm -	APPLICATION SPEC	A1	00779
2 PLC	\pm -	FINISH	C=	5146884
3 PLC	± 0.1 [.005]	SEE SHEET 1	SCALE	6:1
4 PLC	\pm $\pm Z$	SEE SHEET 1	SHEET	2 OF 2
ANGLES	\pm $\pm Z$	WEIGHT	REV	A
MATERIAL	SEE SHEET 1	CUSTOMER DRAWING		